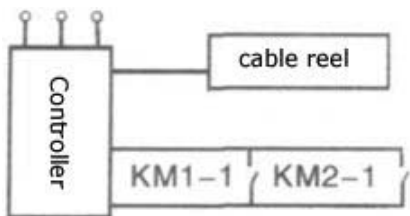
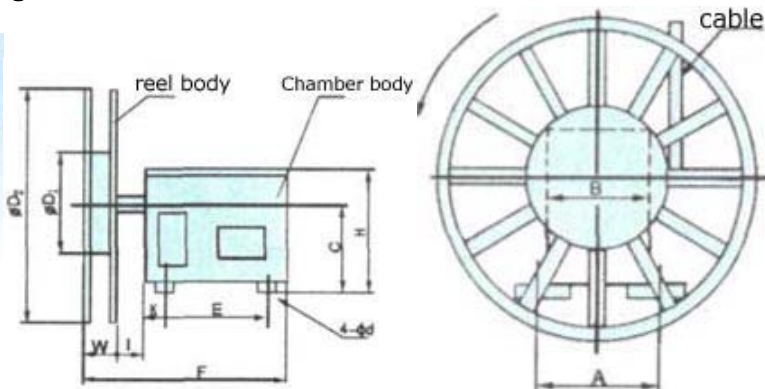
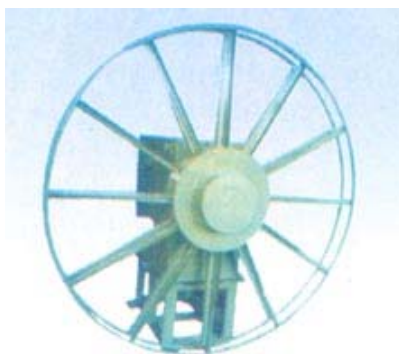




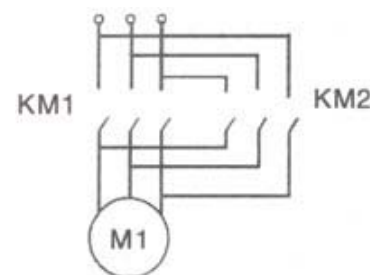
magnetonmove.com

### Moment Motor Powered High Voltage Cable Reel



Wiring diagram

1. M1 for traction motor of the operating equipment;
2. KM1,KM2 for positive and opposite rotating contacts;
3. KM1-1.KM2-1 for opten open contacts.



Wiring diagram for Customers' electric apparatus

Overall dimension table

Contour items	A	B	C	D <sub>1</sub>	D <sub>2</sub>	d	E	F	H	I	K	W	(kg) Mass
1	880	800	910	1000	1600	26	1200	1800	1370	100	110	250	960
2	880	800	910	1000	1800	26	1200	1800	1370	100	110	250	980
3	880	800	910	1000	2000	26	1200	1800	1370	100	110	250	1010
4	880	800	910	1200	2500	26	1200	1800	1370	100	110	250	1080
5	880	800	1000	1000	1800	26	1300	1900	1460	100	110	250	1150
6	880	800	1000	1500	2500	26	1300	1900	1460	100	110	250	1250

Main technical data

Cable Model	Enabled Current		50m Series	Contour Item	100m Series	Contour Item	150m Series	Contour Item	200m Series	Contour Item
	Continuously	I <sub>min.On/Off</sub>								
UG- 6000 3×16+1×10	65	85			JDD65-100-4G	2	JDD65-150-4G	3	JDD65-200-4G	4
UG-6000 3×25+1×16	90	120	JDD90-50-4G	1	JDD90-100-4G	2	JDD90-150-4G	3	JDD90-200-4G	4
UG-6000 3×35+1×16	no	150	JDD110-50-4G	1	JDD110-100-4G	2	JDD110-150-4G	3	JDD110-200-4G	4
UG-10000 3×25+1×16	90	120			JDD90-100-4GG	5			JDD90-200-4GG	6

**Notes:**

1. Cables provided by the customers
2. If choosing flat cables, please note when ordered;
3. G stands for 6kv high voltage cable reel, GG stands for 10kv high voltage cable reel.

©Copyright 2007 YUXIANG Magnetic Materials Ind. Co.,Ltd.All Rights Reserved.