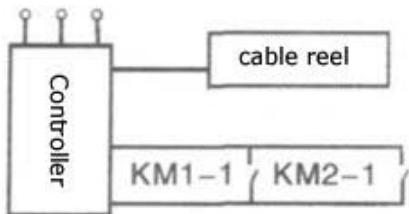
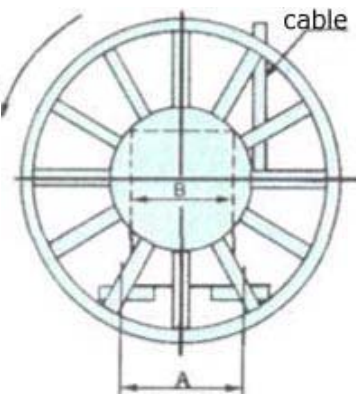
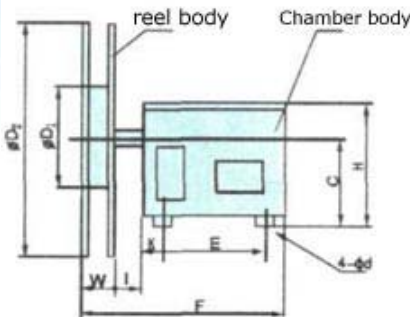




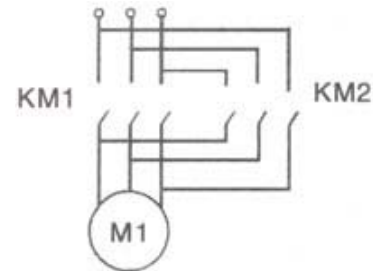
magnetonmove.com

Moment Motor Powered Low Voltage Cable Reel



Wiring diagram

1. M1 for traction motor of the operating equipment;
2. KM1, KM2 for positive and opposite rotating contacts;
3. KM1-1, KM2-1 for open open contacts.



Wiring diagram for Customers' electric apparatus

Overall dimension table

Contour items	A	B	C	D ₁	D ₂	d	E	F	H	I	K	W	(kg) Mass
1	665	575	720	1000	1800	26	750	1450	900	80	60	180	830
2	665	575	720	1000	2000	26	750	1450	900	80	60	180	840
3	665	575	720	1000	2200	26	750	1450	900	80	60	180	860
4	665	575	720	1200	2500	26	750	1490	900	80	60	220	930
5	665	575	720	1300	2800	26	750	1490	900	80	60	220	980
6	665	575	720	1500	3200	26	750	1490	900	80	60	220	1000

Main technical data

Cable Model	Enabled Current		50m Series	Contour Item	100m Series	Contour Item	150m Series	Contour Item	200m Series	Contour Item
	continiumsly	I min.On/Off								
YC 3×25+1×10	90	120			JDD90-100-4	3	JDD90-150-4	4	JDD90-200-4	4
YC 3×35+1×10	110	150			JDD 110-100-4		JDD110-150-4		JDD 110-200-4	
YC 3×50+1×16	140	180	JDD140-50-4	1	JDD 140-100-4	3	JDD140-150-4	4	JDD 140-200-4	5
YC 3×70+1×25	180	220	JDD180-50-4		JDD 180-100-4		JDD 180-150-4		JDD 180-200-4	

YC 3×95+1×35	210	270	JDD210- 50-4	2	JDD210- 100-4	4	JDD210- 150-4	5	JDD210- 200-4	6
YC 3×120+1×35	250	320	JDD250- 50-4		JDD250- 100-4		JDD250- 150-4		JDD250- 200-4	

Note :Cables provided by the customers

©Copyright 2007 YUXIANG Magnetic Materials Ind. Co.,Ltd.All Rights Reserved.