

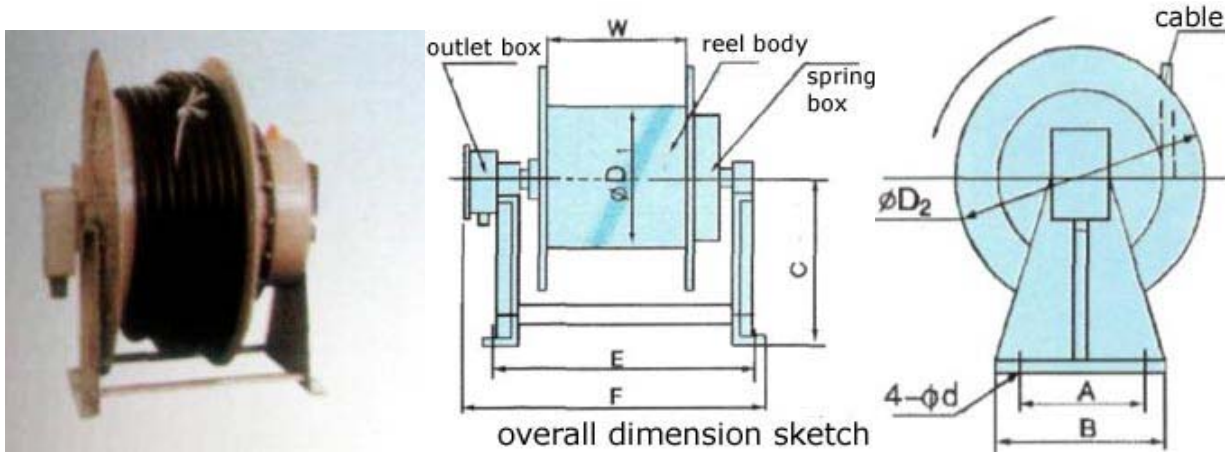


Cable Reel Model Series JT

Cable reel model series JT is one of the leading products made by Yuxiang, which is a kind of mechanism driven by the swirling springs exploiting energy storage to wind the cables automatically, featuring facility power supply, safety and reliability in operation and correct stress on the cables. There are three different structures of product available for the customers: slip ring built-in type with compact and pretty contour; slip ring exterior installed type in convenience of service; overhanging type which can wind much longer and heavy cables.

Structure features: 1. Using swirling springs as motive power requiring no electric energy consumption and reliable in operation. 2. Using collector slip ring-carbon brush bracket to transfer the electric energy steadily and continuously. 3. Equipped with reversible mechanism to avoid the reel counter-rotating to lead the spring broken.

Slip Ring Built-in Type Cable Reel Model Series JT



Overall dimension table

Contour items		A	B	C	D ₁	D ₂	d	E	F	W	(kg) Mass
10m Series	1	250	300	300	360	500	14	450	600	320	73
	2							485	650	350	78
15m,20m	1	300	360	400	500	700	15	440	600	250	95
	2							490	650	300	100
	3							560	720	250	115
	4							610	770	300	120
	5							720	880	300	150
25m,30m Series	1	400	460	450	600	800	18	525	675	300	120
	2							641	795		150
	3							751	905		180
	4							892	1045		212
	5	500	580	550	800	1000	18	641	795	300	185
	6							751	905		212
	7							892	1045		240
	8							1005	1160		268

Main technical data

Cable Model	Enabled Current		10m Series	Contour Item	15m Series	Contour Item	20m Series	Contour Item	25m Series	Contour Item	30m Series	Contour Item
	Continuously	Imin.On/Off										
CRHF 7 × 2.5	12	20	JTA20-10-6	2								
			JTB20-10-6									
			JTC20-10-6									
			JTD20-10-6									
			JTE20-10-6									
			JTF20-10-6									
YC 2 × 6	40	50						JTA50-25-2	1			
							JTB50-25-2					
YC 2 × 10	58	75	JTA75-10-2	1	JTA75-15-2	1	JTA75-20-2	1	JTA75-25-2	2	JTA75-30-2	6
			JTB75-10-2		JTB75-15-2		JTB75-20-2		JTB75-25-2		JTB75-30-2	
YC 2 × 16	77	100	JTA100-10-2	1	JTA100-15-2	1	JTA100-20-2	3	JTA 100-25-2	2	JTA 100-30-2	6
			JTB100-10-2		JTB100-15-2		JTB100-20-2		JTB100-25-2		JTB100-30-2	
YC 2 × 25	106	135	JTA135-10-2	1	JTA 135-15-2	4	JTA 135-20-2	4	JTA 135-25-2	3	JTA 135-30-2	8
			JTB135-10-2		JTB135-15-2		JTB135-20-2		JTB135-25-2		JTB135-30-2	
YC 2 × 35	132	170			JTA 170-15-2	4	JTA 170-20-2	5	JTA 170-25-2	4		
				JTB170-15-2	JTB170-20-2		JTB170-25-2					
YC 3 × 6+1 × 4	35	50	JTA50-10-4	1	JTA50-15-4	2	JTA50-20-4	2	JTA50-25-4	2	JTA50-30-4	5
			JTB50-10-4		JTB50-15-4		JTB50-20-4		JTB50-25-4		JTB50-30-4	
			JTC50-10-4		JTC50-15-4		JTC50-20-4		JTC50-25-4		JTC50-30-4	
			JTD50-10-4		JTD50-15-4		JTD50-20-4		JTD50-25-4	JTD50-30-4		
			JTE50-10-4		JTE50-15-4				JTE50-25-4	2	JTE50-30-4	6
			JTF50-10-4		JTF50-15-4				JTF50-25-4		JTF50-30-4	

YC 3 ×10+1 ×6	50	65		JTA65-15-4	2	JTA65-20-4	4	JTA65-25-4	2	JTA65-30-4	6
				JTB65-15-4		JTB65-20-4		JTB65-25-4		JTB65-30-4	
				JTC65-15-4	2	JTC65-20-4	2	JTC65-25-4	1	JTC65-30-4	5
				JTD65-15-4		JTD65-20-4		JTD65-25-4		JTD65-30-4	
				JTE65-15-4	4	JTE65-20-4	4	JTE65-25-4	3	JTE65-30-4	7
				JTF65-15-4		JTF65-20-4		JTF65-25-4		JTF65-30-4	
YC 3 ×16+1 ×6	66	85		JTA85-15-4	4	JTA85-20-4	4	JTA85-25-4	3	JTA85-30-4	7
				JTB85-15-4		JTB85-20-4		JTB85-25-4		JTB85-30-4	
				JTC85-15-4	2	JTC85-20-4	2	JTC85-25-4	2	JTC85-30-4	6
				JTD85-15-4		JTD85-20-4		JTD85-25-4		JTD85-30-4	
				JTE85-15-4	4	JTE85-20-4	4	JTE85-25-4	4		
				JTF85-15-4		JTF85-20-4		JTF85-25-4			
YC 3 ×25+1 ×10	91	120		JTA 120-15-4	4	JTA 120-20-4	5	JTA 120-25-4	4		
				JTB120-15-4		JTB120-20-4		JTB120-25-4			
				JTC120-15-4	4	JTC120-20-4	4	JTC120-25-4	2	JTC120-30-4	6
				JTD120-15-4		JTD120-20-4		JTD120-25-4		JTD 120-30-4	
				JTE120-15-4	5						
				JTF120-15-4							