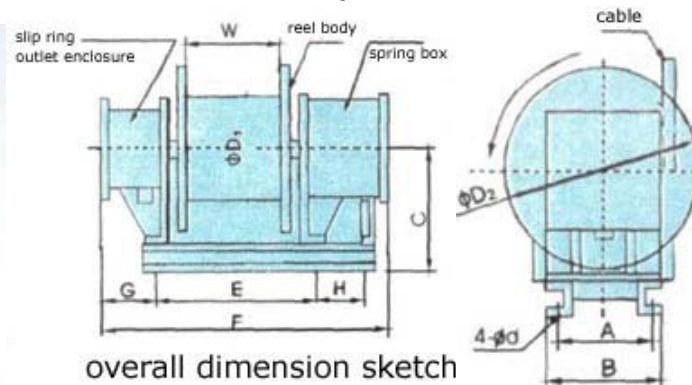




magnetonmove.com

## Slip Ring Exterior Installed Cable Reel Model Series JT



Contour items		A	B	C	D <sub>1</sub>	D <sub>2</sub>	d	E	F	G	H	W	Mass (Kg)
10m, 15m, 20m Series	1	310	360	400	500	700	15	420	710	190	----	250	140
	2							420	825	190	----	250	170
	3							420	990	190	280	300	220
	4							420	785	265	----	250	155
	5							420	900	265	----	250	185
25m, 30m Series	1	310	360	450	600	800	18	420	710	190	----	250	190
	2							420	825	190	----	250	220
	3							470	990	190	280	300	250
	4							470	1105	190	280	300	280
	5							420	900	265	----	250	195
	6	310	360	550	800	1000	18	420	825	190	----	250	250
	7							470	990	190	280	300	290
	8							470	1105	190	280	300	300
	9							470	1220	190	280	300	330
	10							470	1075	265	----	300	235
	11							420	900	265	----	250	210

## Main technical data

Cable Model	Enabled	Current	10m Series	Contour Item	15m Series	Contour Item	20m Series	Contour Item	25m Series	Contour Item	30m Series	Contour Item
	Continuously	Imin. On/Off										



CRHF 10×2.5	12	20	JTA20-10-8-II	4	JTA20-15-8-II	4	JTA20-20-8-II	5	JTA20-25-8-II	5	JTA20-30-8-II	10				
			JTB20-10-8-II				JTB20-15-8-II				JTB20-20-8-II			JTB20-20-8-II		
			JTC20-10-8-II				JTC20-15-8-II				JTC20-20-8-II		JTC20-25-8-II		JTC20-30-8-II	11
			JTD20-10-8-II				JTD20-15-8-II				JTD20-20-8-II		JTD20-25-8-II		JTD20-30-8-II	
			JT II 20-10-8-II				JT II 20-15-8-II		5		JT II 20-20-8-II					
			JTF20-10-8-II				JTF20-15-8-II				JTF20-20-8-II					
YC 2×6	40	50						JTA50-25-2-II	1							
YC 2×10	58	75			JTA75-15-2-II	1	JTA75-20-2-II	1	JTA75-25-2-II	2	JTA75-30-2-II	7				
					JTB75-15-2-II		JTB75-20-2-II		JTB75-25-2-II		JTB75-30-2-II					
YC 2×16	77	100			JTA100-15-2-II	1	JTA100-20-2-II	2	JTA100-25-2-II	2	JTA100-30-2-II	7				
					JTB100-15-2-II		JTB100-20-2-II		JTB100-25-2-II		JTB100-30-2-II					
YC 2×25	106	135			JTA135-15-2-II	2	JTA135-20-2-II	2	JTA135-25-2-II	3	JTA135-30-2-II	9				
					JTB135-15-2-II		JTB135-20-2-II		JTB135-25-2-1		JTB135-30-2-II					
YC 2×35	132	170			JTA170-15-2-II	2	JTA170-20-2-II	3	JTA170-25-2-II	4						
					JTB170-15-2-II		JTB170-20-2-II		JTB170-25-2-II							

JTB2  
0-25-  
8-II

JTB2  
0-30-  
8-II

JTB5  
0-25-  
2-II

YC 3×6+1× 4	35	50			JTA50-0-15-4-II	JTA50-20-4-II	JTA50-25-4-II	JTA50-30-4-II	6	JTB50-25-4-II	JTB50-30-4-II
						JTB50-15-4-II	JTB50-20-4-II				
					JTC50-15-4-II	JTC50-20-4-II	JTC50-25-4-II	JTC50-30-4-II			
					JTD50-15-4-II	JTD50-20-4-II	JTD50-25-4-II	JTD50-30-4-II			
					JTE50-15-4-II		JTE50-25-4-II	JTE50-30-4-II			
					JTF50-15-4-II		JTF50-25-4-II	JTF50-30-4-II			
YC 3×10+1 ×6	50	65			JTA65-15-4-II	JTA65-20-4-II	JTA65-25-4-II	JTA65-30-4-II	7	JTB65-25-4-II	JTB65-30-4-II
						JTB65-15-4-II	JTB65-20-4-II				
					JTC65-15-4-II	JTC65-20-4-II	JTC65-25-4-II	JTC65-30-4-II			
					JTD65-15-4-II	JTD65-20-4-II	JTD65-25-4-II	JTD65-30-4-II			
					JTE65-15-4-II	JTE65-20-4-II	JTE65-25-4-II	JTE65-30-4-II			
					JTF65-15-4-II	JTF65-20-4-II	JTF65-25-4-II	JTF65-30-4-II			
YC 3×16+1 ×6	66	85			JTA85-15-4-II	JTA85-20-4-II	JTA85-25-4-II	JTA85-30-4-II	8	ITB85-25-4-II	ITB85-30-4-II
						JTB85-15-4-II	JTB85-20-4-II	JTB85-25-4-II			
					JTC85-15-4-U	JTC85-20-4-II	JTC85-25-4-II	JTC85-30-4-II			
					JTD85-15-4-II	JTD85-20-4-II	JTD85-25-4-II	JTD85-30-4-II			
					JTE85-15-4-II	JTE85-20-4-II	JTE85-25-4-II				
					JTF85-15-4-II	JTF85-20-4-II	JTF85-25-4-II				

YC 3×25+1 ×10	91	120		JTA12 0-15- 4-II	2	JTA12 0-20- 4-II	3	JTA120 -25-4- II	4		
						JTB12 0-15- 4-II		ITB120 -20-4- II		ITB12 0-25- 4-fl	
				ITC12 0-15- 4-II	JTC12 0-20- 4-II	2	JTC120 -25-4- II	2	JTC12 0-30- 4-II	7	
				JTD12 0-15- 4-II	ITD12 0-20- 4-II		ITD120 -25-4- II		JTD12 0-30- 4-II		
				JTE12 0-15- 4-II							
				3							
					ITF12 0-15- 4-II						

©Copyright 2007 YUXIANG Magnetic Materials Ind. Co.,Ltd.All Rights Reserved.