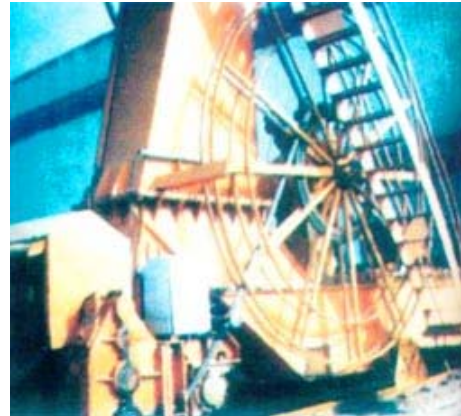
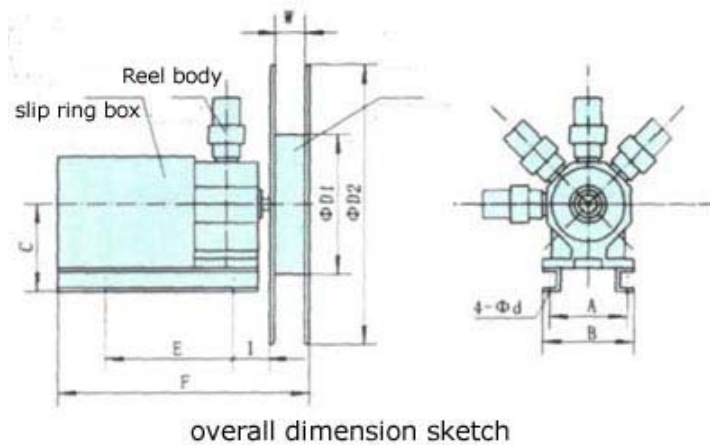




magnetonmove.com

Three Phase Asynchronous Motor Type Cable Reel



Overall dimension table

Contour items	A	B	C	D ₁	D ₂	d	E	F	I	W	(kg) Mass
1	450	410	420	1000	1800	22	750	1130	80	180	720
2	450	410	420	1000	2000	22	750	1130	80	180	740
3	450	410	420	1000	2200	22	750	1130	80	180	780
4	450	410	420	1500	2300	22	750	1180	80	220	830
5	450	410	420	1500	2500	22	750	1180	80	220	900
6	450	410	420	1500	2600	22	750	1180	80	220	920

Cable Model	Enabled Current		50m Series	Contour Item	100m Series	Contour Item	150m Series	Contour Item	200m Series	Contour
	Continuously	I _{min.On/Off}								
YC 3×35+1×10	110	150			JYD 110-100-4	1	JYD110-150-4	2	JYD 110-200-4	4
YC 3×50+1×16	140	180	JYD140-50-4	1	JYD 140-100-4	2	JYD 140-150-4	4	JYD 140-200-4	5
YC 3×70+1×25	180	220	JYD180-50-4	1	JYD180-100-4	2	JYD 180-150-4	4	JYD 180-200-4	5
YC 3×95+1×35	210	270	JYD210-50-4	2	JYD210-100-4	3	JYD210-150-4	5	JYD210-200-4	6
YC 3×120+1×35	250	320	JYD250-50-4	2	JYD250-100-4	3	JYD250-150-4	5	JYD250-200-4	6

Notes:

1. Cables provided by the customers;
2. If choosing flat cables, please note when ordered.
3. The driving units of this product is composed of I -5 motors.