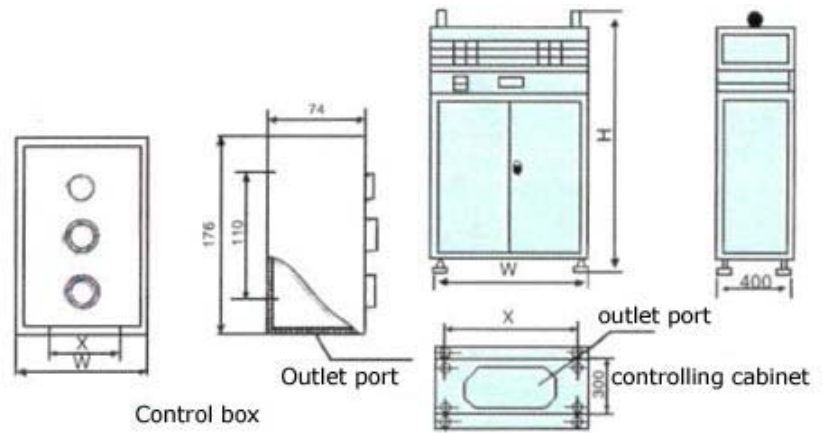




magnetonmove.com

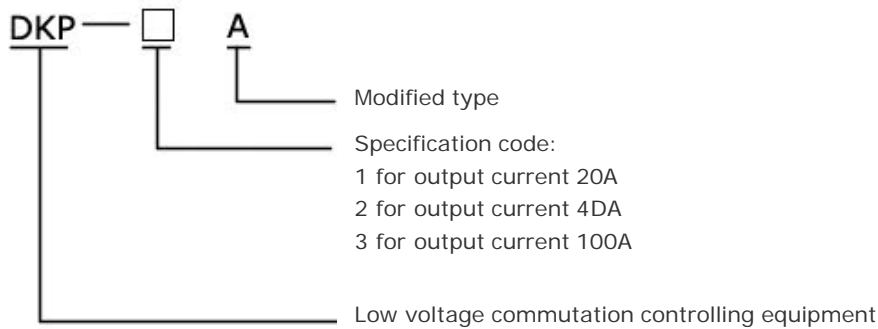
## Commutation Controlling Unit Series DKP

This product series is designed for releasing the holding materials by the energy storage control of the field discharge reversely using three -pin & two -phase half-wave commutation mode. It features simple wiring, compact and light weight. DKP-A for three-pins & two-phase half-wave controlled commutation controlling equipment. When the power supply network voltage is too high or too low, the potentiometer will be adjusted to make the voltage hold within 170-240V and the output voltage appropriately 220V.



overall dimension sketch

### Model designation



### Main technical data

Model	Power source Phase number	(v) input AC voltage	output AC voltage	(A) rated output current	overall dimension (mm)					Installation port	Mass (kg)
					w	D	H	X	Y		
DKP-1/ DKP-1A	3 phase	380	220/ 170~240	20	600	400	1049	535	300	4-Φ 14	83
DKP-3/ DKP-3A	3 phase	380	220/ 170~240	40	600	400	1049	535	300	4-Φ 14	85
DKP-4/ DKP-4A	3 phase	380	220/ 170~240	100	650	400	1159	585	300	4-Φ 14	110
(Control box) D. ch01, Dch.0					126	74	176	72	110	4-Φ 10	2.5

©Copyright 2007 YUXIANG Magnetic Materials Ind. Co.,Ltd.All Rights Reserved.