



## Electromagnetic Weighting Scale System For Loading and Distributing Iron Material

### Digital electromagnetic iron proportioning scale series Y57A

#### Usage & Effect

This product series is applicable to furnace cupola and electric furnace to weigh distribute and transport the metal material under manual digital display. It helps to stabilize the furnace conditions, improve the quality of molten iron and minimize the labor strength.

#### Features and Data

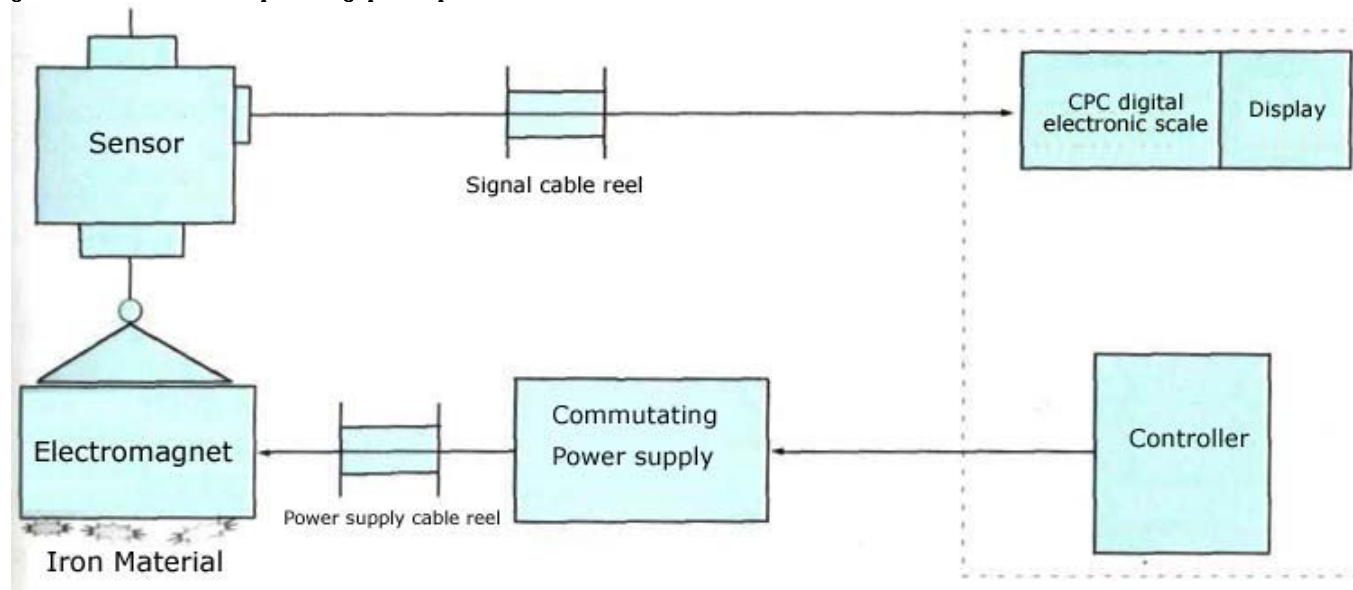
Digital display keeps stable, accurate, clear and objective, which is specially-designed to operate under the adverse circumstances of casting workshop and violent vibration of the crane. It can obviously suppress the strong interference, featuring modular design, easy and convenient maintenance, built-in analogue sensors, and easy and quick signal line error detection.

#### Installation Mode:

Installed on the crane or inside ground control chamber. The sensors are generally installed using universal hook as well as on the steel cable fixture of electric block.



#### Diagrammatic sketch of operating principle



#### Equipment completeness

Complete Equipment Model	Corollary equipment					Rated Weigh (kg)	Static state accuracy	Furnace cupola applied
	Magnetic disk digital electronic scale	Sensor	Universal hook	Electromagnet	Commutating power supply			
Y573A	CPC-1A	BLR-1t	WXG-1	MW5-70L/1	ZQC55-20/4Q	800	0.5	<5t/h

Y575A	CPC-2A	BLR-1.5t	WXG-3	MW5-90L/1	ZQC55-40/4Q	1000	0.5	5t/h
Y577A	CPC-3A	BLR-3t	WXG-3	MW5-110L/1	ZQC55-40/4Q	1200	0.5	5t/h-7t/h
Y5710A	CPC-4A	BLR-5t	WXG-5	MW5-130L/1	ZQC55-75/4Q	1500	0.5	7t/h-10t/h
Y5715A	CPC-5A	BLR-7t	WXG-10	MW5-150L/1	ZQC55-100/4Q	2000	0.5	10t/h-15t/h

**Note:**The signal cable reel shall be optional integrated with the power supply cable reel.

©Copyright 2007 YUXIANG Magnetic Materials Ind. Co.,Ltd.All Rights Reserved.