

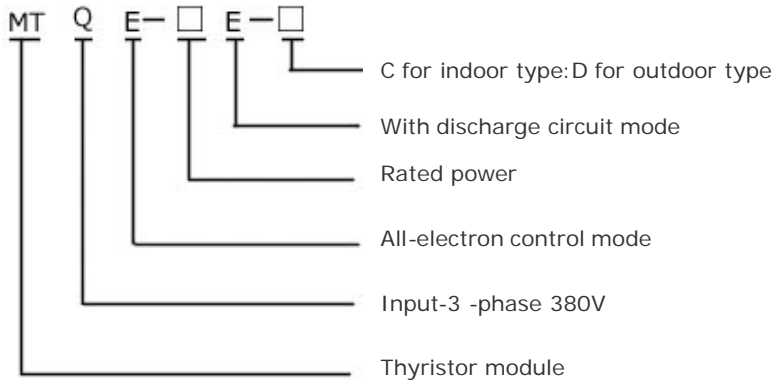


Non-contact Commutating Control Apparatus Series MTQE

This product series is a new product leading international advanced technology, designed and developed by Yuxiang, and fills the gap in domestic industry. It uses thyristor three-phase bridge commutating mode to achieve the required DC output voltage by controlling trigger pulse, requiring no DC contactor but thyristor to control excitation on positive direction and magnetism erasing on opposite direction within the lot circuit of control loop, which avoids the errors caused by contact are pulling of the contactor and prolongs the product service life.

It is suitable for high frequency operation easily and flexibly. Its constant voltage control made can be changed into strong excitation control mode or voltage adjustable control mode under minor adjustment.

Model designation



Main technical data

Model	input voltage	output voltage	(KW) output power	overall dimension (mm)				Mass (kg)
				W	H	X	Y	
MTQE-14E-C	AC380/3Φ	220	14	650	1250	550	370	130
MTQE-19E-C	AC380/3Φ	220	19	650	1250	550	370	150
MTQE-25E-C	AC380/3Φ	220	25	900	1110	800	370	180
MTQE-32E-C	AC380/3Φ	220	32	900	1110	800	370	190
MTQE-38E-C	AC380/3Φ	220	38	900	1110	800	370	200