

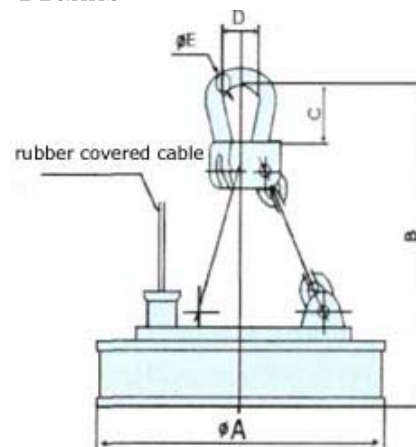


magnetonmove.com

Lifting Electromagnet Model Series MW03 for Handling Plate Blanks

Applications:

Applied to lifting and transferring huge steel ingots, continuous casting plate blanks and heavy steel plates. Please use two lifting electromagnets to operate on the plate blanks at the length of exceeding 6 meters in order to avoid the material tilling caused by off-center.



overall dimension sketch

Main technical data

DC-220V, TD-60%

Model	(100°C) Normal temperature type(100V)							High temperature type(600°C)							
	MW03-70L	MW03-90L	MW03-110L	MW03-120L	MW03-140L	MW03-160L	MW03-180L	MW03-70L/G	MW03-90L/G	MW03-110L/G	MW03-120L/G	MV03-140L/G	MW03-160L/G	MW03-180L/G	
overall dimension (mm)	A	700	900	1100	1200	1400	1600	1800	700	900	1100	1200	1400	1600	1800
	B	950	920	1080	1290	1100	1663	1910	990	1050	1140	1360	1175	1720	2000
	C	180	160	250	250	280	500	500	180	160	250	250	280	500	500
	D	110	125	170	170	220	220	230	110	125	150	170	200	220	230
	E	32	50	65	85	90	90	115	32	50	65	85	90	90	115
Mass (kg)	540	842	1590	1984	2726	3774	5000	640	987	1600	2100	3410	4400	5800	
current (A)	15	21	23	29	37	55	80	12.3	15.3	19.8	30	32.8	39	53	
power (kw)	3.3	4.6	5.0	6.4	8.2	12.0	17.5	2.7	3.4	4.4	6.5	7.9	8.6	11.7	
(t) capacity of one unit	6	10	15	18	25	32	40	6	10	15	18	25	32	40	

©Copyright 2007 YUXIANG Magnetic Materials Ind. Co.,Ltd.All Rights Reserved.