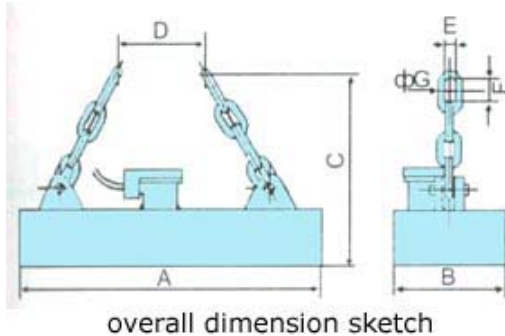




magnetonmove.com

Lifting Electromagnet Model Series MW84 for Handling Medium-Thickness Sized Steel Plate



The series of products are specially designed for lifting and transporting steel plate of medium -thickness. The lifting operation is safe, accurate and quick. Considering possible bending and deforming may affect safe transportation when lifting long steel plates, please use the combination of several electromagnets. As to medium-thickne steel plates (6mm -32mm), the space length of electromagnets is 3-4m, the spare length of extension parts of both ends is half of the space length. According to different lifting pieces, the series can be divided into type 350 and type 400. Type 350 is suitable for medium -thickness plate factory, ship building factory, and machinery manufacturing factory, it adopts magnet regulating control method. and can lift one piece or certain pieces of steel plate. Type 400 is suitable for transporting as many as possible pieces at a time and can design and manufacture high temperature type products used for lifting transporting steel plate below 700°C according to customers' requirements.

The series permanent lifters needn't electric source that the feature consume energy and use safely reliable. Its attract force be provide by permanent magnet when attracts iron, automatic cycle complete motion of attract iron and release iron, which not only may single set use but also many sets makeup. It suit hang and carry steel plate indoor or outdoor

Main technical data

DC-220V, TD-60%

Model	overall dimension (mm)							Mass (kg)	power (kw)	Lifting width (mm)				
	A	B	C	D	E	F	G			ø 6	ø 8	ø 10	ø 12	ø 16
MW84-9030T	900	300						185	0.41	2300	2700	3000	3200	3600
MW84-10535T	1050	350	960	400	110	180	32	330	0.9	2650	3150	3350	3550	4050
MW84-14035T	1400	350	940	500	110	180	32	430	1.2	3000	3500	3700	3900	4400
MW84-17535T	1750	350	940	700	110	180	32	510	1.5	3350	3850	4050	4250	4750
MW84-21035T	2100	350	920	800	110	180	32	600	1.8	3850	4200	4400	4600	5100
MW84-24535T	2450	350	980	900	110	180	32	720	2.5	4200	4550	4750	4950	5450
MW84-12040L	1200	400	1017	400	110	180	32	550	3.0	4550	3500	3700	4000	4500
MW84-16040L	1600	400	996	700	110	180	32	690	3.2	3400	3900	4100	4400	4900
MW84-20040L	2000	400	970	800	110	180	32	840	5.0	3800	4300	4500	4800	5300
MW84-24040L	2400	400	890	700	110	180	32	910	6.0	4200	4700	4900	5200	5700
MW84-13042L/G	1260	420	1040	500	110	180	32	650	2.4	3060	3560	3760	4060	4560
MW84-17042L/G	1680	420	1045	700	110	180	32	850	3.7	3480	3980	4180	4480	4980
MW84-21042L/G	2100	420	1010	800	110	180	32	1050	4.0	3900	4400	4600	4900	5400
MW84-25042L/G	2520	420	1050	900	110	180	32	1250	4.8	4320	4820	5020	5320	5820

Example for guaranteed transporting pieces

width of steel plate	1500(mm)							2500(mm)							4000(mm)						
	ø 6	ø 8	ø 10	ø 12	ø 16	ø 20	ø 32	ø 6	ø 8	ø 10	ø 12	ø 16	ø 20	ø 32	ø 6	ø 8	ø 10	ø 12	ø 16	ø 20	ø 32
MW84-10535T	3	3	3	3	2	2	1	1	1	1	1	1	1	1	-	-	-	-	1	1	1

MW84-14035T	4	4	3	3	2	2	1	3	2	2	2	2	1	1	-	-	-	-	1	1	1
MW84-17535T	4	4	3	3	2	2	1	4	3	3	3	2	2	1	-	-	1	1	1	1	1
MW84-21035T	4	4	4	4	2	2	1	4	3	3	3	2	2	1	-	2	2	2	1	1	1
MW84-24035T	4	4	4	4	2	2	1	4	4	4	3	2	2	1	3	3	3	3	2	1	1
MW84-12040L	6	5	4	4	3	3	1	3	3	3	2	2	2	1	-	-	-	-	1	1	1
MW84-16040L	7	5	5	5	3	3	1	6	4	4	4	3	2	1	-	-	1	2	2	2	1
MW84-20040L	7	5	5	5	3	3	1	6	5	4	4	3	3	1	-	2	3	3	2	2	1
MW84-24040L	7	5	5	5	3	3	1	7	5	5	4	3	3	1	3	3	3	3	3	2	1

©Copyright 2007 YUXIANG Magnetic Materials Ind. Co.,Ltd.All Rights Reserved.