

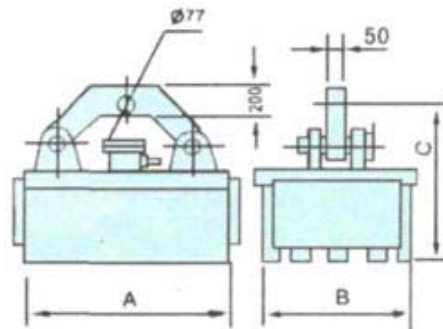


magnetonmove.com

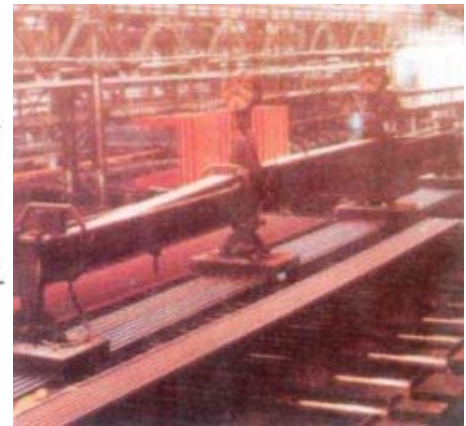
Lifting Electromagnet Series MW42 for Handling Square Billets and Profiled Bars

Applications:

It can generate strong attracting force within small attaching area. It is suitable for lifting and transporting many pieces of small square billet and track bewail is a kind of strong attraction force type of lifting electromagnet.



overall dimension sketch



Main technical data

DC-220V, TD-60%

Model		MW42-10580L	MW42-11090L	MW42-12090L	MW42-11090L/G	MW42-170100L/G	MW42-170100T/G
overall dimension (mm)	A	1050	1100	1200	1100	1668	1668
	B	800	900	900	900	1000	1000
	C	610	625	725	643	610	628
Mass (kg)		1710	2080	2370	2280	2700	3230
current (A)		26.7	31.9	37.9	26.1	34.4	31.4
power (kw)		5.76	7	8.34	5.74	7.6	6.9
examples for lifting capacity (combination of two units)		115×115×12500 8 (pieces)	10000kg attract and lift small square billet 10000kg	115×115×12500 9 (pieces)	10000kg attract and lift small square billet 10000kg	combination of four units 75kg (heavy) ×25000 10-12(pieces)	combination of four urn 75kg (heavv) ×25000 10-12(pieces)

©Copyright 2007 YUXIANG Magnetic Materials Ind. Co.,Ltd.All Rights Reserved.