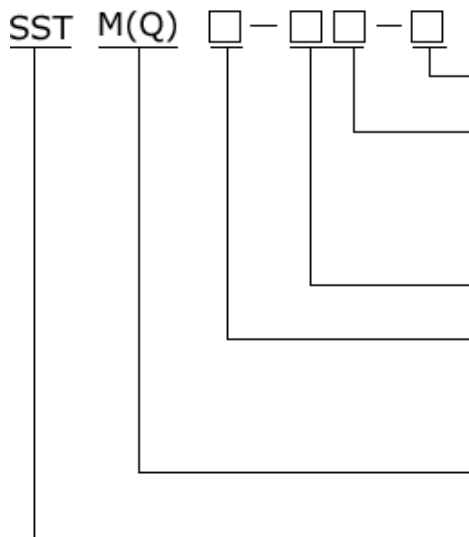




## Commutating Control Apparatus For Round/Rectangular Electromagnetic Separator And Electromagnetic Pulley

The product series will be available to form a complete set with round rectangular electromagnetic separator and electromagnetic pulley which operate at continuous shifts. It adopts bridge commutating code and has two operating modes: cabinet or operation panel switch and bottom integral control. According to its completeness, there are single integrated commutating control unit and double integrated commutating control unit. According to its completeness, there are single integrated commutating control protection type. Outdoor protection type features water -proof, anti -dust and corrosion resistance, suitable for long term open-air operation.

### Mode] designation



D for indoor type ; W for outdoor type ; J for simple type

D for continuous field excitation at 100% operating shift (normal type)

S for continuous field excitation timed discharging irons (timed discharging irons type)

T for metal detector, auto cycling (energy-saving type)

Max, output power (KW)

No mark stands for single control unit. 2: Stands for two control units

21: for two separators integrated one conveying belt

22: for two separators integrated two conveying belts

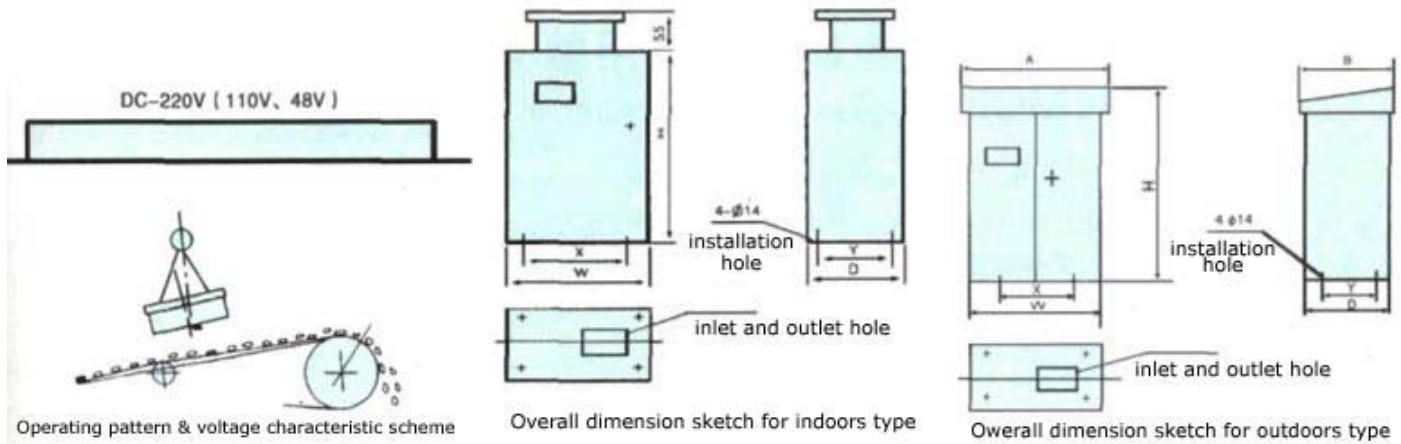
Commutating voltage phase number. M for single phase 380V. Q for 3 phases, 380V

Electromagnet separator commutation controlling unit

### Main technical data ( normal type)

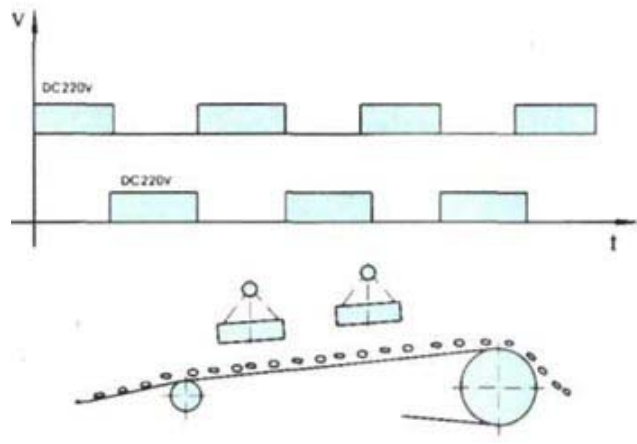
Model		Input voltage	Output voltage	(kw) Power	overall dimension (mm)					(kg) Mass					
					W	D	H	X	Y						
Indoors protective type	SSTM-1.5D/48V-D	AC-380V	DC-48V	1.5	500	450	1200	466	310	180					
	SSTM-1.5D-D	AC-380V	DC-110V	1.5	500	450	1200	466	310	180					
	SSTM-3.1D-D			3.1						190					
	SSTM-4.2D-D			4.2						210					
	SSTM-6.2D-D		6.2	200											
	SSTQ-9.3D-D		DC-220V	9.3						700	530	1500	600	440	360
	SSTQ-12D-D			12											380
Outdoors protective type	SSTM-1.5□□-W	AC-380V	DC-110V	1.5	770	590	1500	700	540	240					
	SSTM-3.1□□-W			3.1						250					
	SSTM-4.2□□-W			4.2						260					
	SSTM-6.2□□-W		6.2	270											
	SSTQ-9.3□□-W		DC-220V	9.3						920	680	1570	750	650	520
	SSTQ-12□□-W			12											560

**Notes:**The rated voltage of matched separator shall be in conform with the output voltage of the commutation controlling unit.The total cold power consumption of two separators shall be less than or equal to the rated output power of commutation controlling unit.



**General description of intelligent auto commutating control apparatus (integrated the customers' computer program control)used for electromagnetic separator.**

This product series is mainly designed for the customers such as power plant and steel company etc.which equip center control chamber.It can auto-detect on/off signals of conveying belt.auto-timed discharging irons and operate under manual, automatic and inter locked control from the customer's center control chamber.It has signal interfaces to different working conditions with the customer.The product uses Simens.PLC as its controlling part,featuring full automation safety,reliable and high efficiency.



**Main technical data**

Model	Input voltage	Output voltage	( kw ) Power	overall dimension (mm)					( KW ) Rated output power	( kg ) Mass
				W	D	H	X	Y		
SSTM-3.1S/PLC	AC-380V	DC-110V	3.1	700	530	1500	600	400	0.4	340
SSTM-6.2S / PLC			6.2							360
SSTQ-9.3S / PLC			9.3							380
SSTQ-12S/PLC		DC-220V	12	900	800	0.8	420			
SSTQ-19S/PLC			19				460			
SSTQ-25S / PLC			25				550			

SSTM21-3.1S/PLC	AC-380V	DC-110V	3.1	770	590	1500	700	540	0.4	390
SSTM21-6.2S/PLC			6.2							410
SSTQ21-9.3S/PLC			9.3							430
SSTQ21-12S/PLC		DC-220V	12	920	680	1570	750	650	0.8	470
SSTQ21-19S/PLC			19							580
SSTQ21-25S / PLC			25							610

**Notes:**

1. The rated voltage of matched separator shall be in conform with the output voltage of the commutation controlling unit. The total cold power consumption of two separators shall be less than or equal to the rated output power of commutation controlling unit.
2. Main technical data of series SSTM(Q)22 is the same as that of series SSTM(Q)21.

©Copyright 2007 YUXIANG Magnetic Materials Ind. Co.,Ltd.All Rights Reserved.