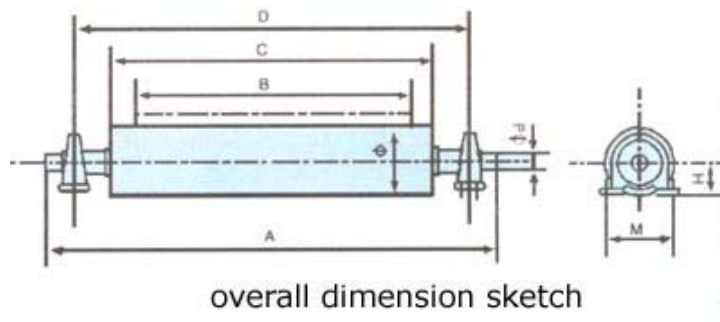


### Non-magnetic Flat Supporting Roll Series TGW

It is installed under the conveyor belt to support the belt level, thus improves the iron removing rate of the separator.



#### Main technical data

Model	B (mm) Usable Belt Width	(kg) Mass	overall dimension (mm)						
			A	C	D	d	Φ	M	H
TGW-50	500	15	780	640	720	35	108	126	47.6
TGW-65	650	18	930	790	870				
TGW-80	800	20	1130	990	1070				
TGW-100	1000	35	1375	1210	1300	55	133	172	63.5
TGW-120	1200	40	1625	1460	1550				
TGW-140	1400	43	1840	1650	1750	60	133	186	69.9
TGW-160	1600	46	2080	1890	1990				
TGW-180	1800	72	2300	2110	2210	65	159	203	76.2
TGW-200	2000	85	2490	2300	2400				