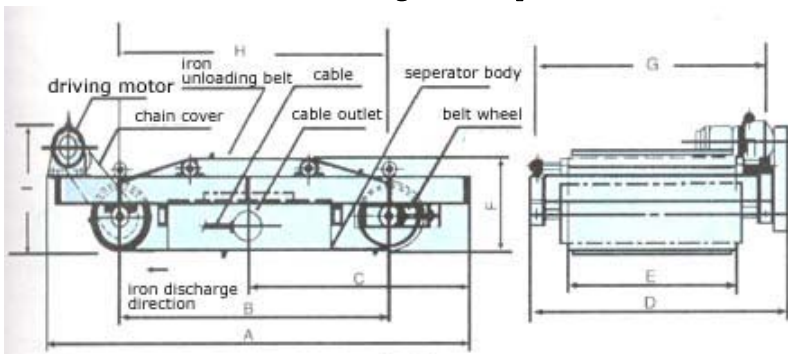


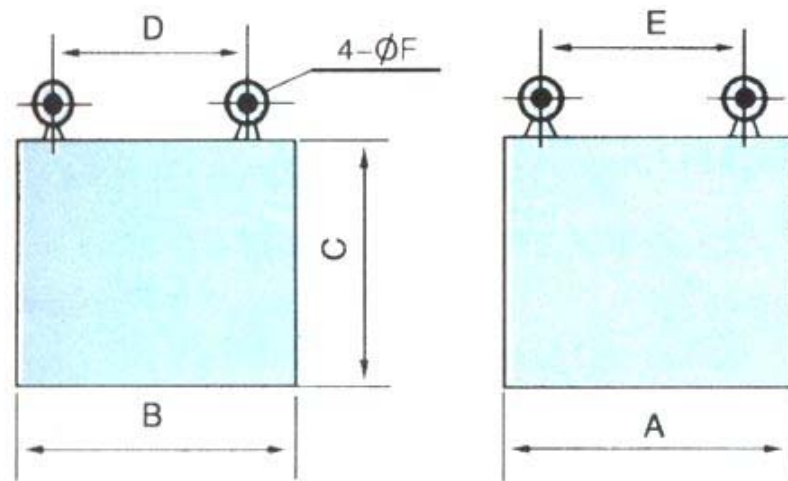


magnetonmove.com

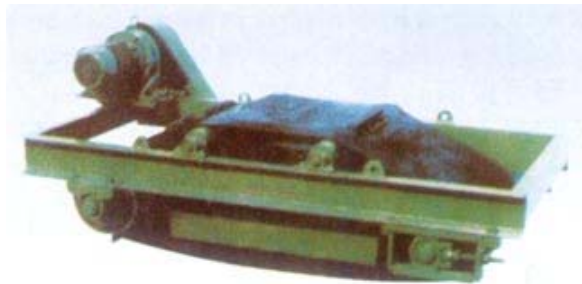
Rare Earth Permanent-magnet Separator Model Series RCYD RCYB



RCD Series



RCYB Series



Rare earth permanent -magnet separator model series RCYD,RCYB is energy -economizing type separator equipment using the latest third generation rare -earth permanent -magnet material NdFeB to form magnetic system which produces strong magnet field attraction.This product series links up with transferring equipments to form a complete set to remove the iron magnetic materials under weight of 0.1 -25kg mixed among the non -magnetic materials.It can be used for improving the material quality and purification as well as recovering the magnetic materials.This product series is widely applied for power industry,metallurgical industry,mining industry,paper-making industry, building industry,food industry,cement industry,coal picking-up industry,chemical industry and so on.

Main technical data

Model	Belt width	T (mm) Erection height	Mass (kg)	Driven power (kw)	overall dimension (mm)							
					A	B	C	D	E	G	H	I
RCYD-6/ RCYB-6	650	200	1270/ 580	2.2/	2750/ 840	1600/ 700	1360/ 250	1270/ 500	800/500	1065	1100	782
RCYD-8/ RCYB-8	800	250	1800/ 1340	2.2/	2900/ 900	1770/ 900	1465/ 512	1480/ 660	900/600	1165	1200	768
RCYD-10/ RCYB-10	1000	300	2500/ 2380	2.2/	3200/ 1100	2000/ 1100	1590/ 602	1680/ 900	1000/ 900	1375	1400	782
RCYD-12/ RCYB-12	1200	350	4000/ 3910	V	3460/ 1300	2310/ 1300	1680/ 717	1853/ 1000	1200/ 1000	1584	1650	886
RCYD-14/ RCYB-14	1400	400	5800/ 5670	V	38(X)/ 1500	2620/ 1500	1850/ 810	1990/ 1200	1400/ 1200	1780	1920	945

RCYD-16/ RCYB-16	1600	450	7500/ 6820	V	3850/ 1700	2700/ 1700	1950/ 890	2250/ 1360	1600/ 1360	1930	1900	1050
RCYD-18	1800	500	8000	5.5	4400	3000	2100	2420	1800	2087	2100	1070
RCYD-20	2000	550	10000	5.5	4600	3400	2250	3000	2000	2700	2100	1320

©Copyright 2007 YUXIANG Magnetic Materials Ind. Co.,Ltd.All Rights Reserved.