



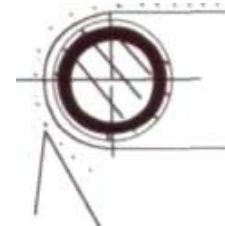
CFDL series electromagnetic belt roll

Electromagnet wheel series is a kind of rotary DC electromagnet which links up with the belt transferring equipment to be used as driving wheel on continuous operating shift featuring farther permeability depth and strong magnetic field. It can automatically separate the iron magnetic materials blended among the non-magnetic materials on the conveyor belt. widely used in casting industry, building industry, metallurgical industry, mining industry, chemical industry, power supply, food industry and so on.

CFDL series electromagnetic belt roll is a kind of DC electromagnet. It is regarded as driving roll use for form a complete set with belt conveyor. Which feature may continual work. It take part in suspend separator cooperate use can reached ideals separate iron effect when material layer thicker.

CFDL series electromagnetic belt roll main used in belt conveyor system for replace driving roll or driven roll. It may separate magnetic object from non-magnetic material on conveyor belt. It widely used in casting, building materials, metallurgical, mine, chemical, power, grain etc. Industries.

The series electromagnetic was through appraisal of Jiangsu province in 1992. The series appearance parameter and installation size accord with GB998-91 general rubberized tape conveyor parameter.



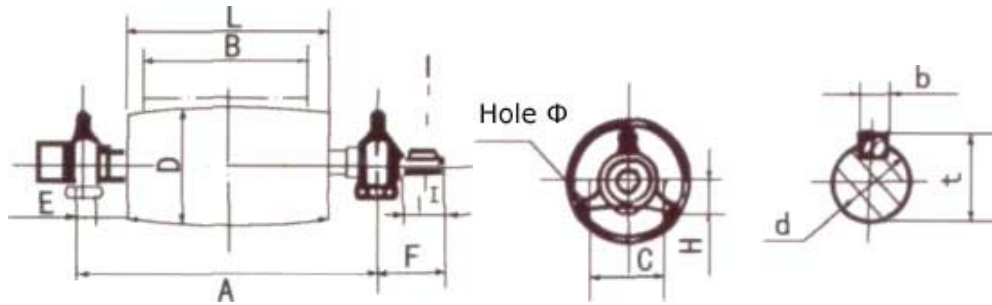
ferromagnetism material installation place dia.

Note:

1. CFD series winding is copper wire and CFDL series is AL wire.
2. The surface of electromagnetic belt roll was plain noodles, hadn't rubber layer.

parameter \ model \ item	belt roll diameter (mm)	suit belt width (mm)	excitation power (kW)	twisting force (N.M)	rotational speed (r.p.m)	weight (kg)	power source supplied	appearance and installation size (mm)												
								B	D	A	L	C	E	F	L	H	d	b	t	hole Φ
CFDL-50/50	500	500	0.7	1630	60	600	KGLA - 20/250A	500	500	850	600	350	-	223.5	135	120	70	20	74.5	28
CFD-50/65	500	650	0.98	2120	60	920		650	500	1000	750	350	-	223.5	135	120	70	20	74.5	28
CFD-50 80	500	800	1.3	2620	60	1170		800	500	1300	950	350	-	223.5	135	120	70	20	74.5	28
CFD-63/65 CFDL-63/65	630	650	0.96	2960	60	1375 / 1156		650	630	1000	750	380	80	223.5	135	140	90	25	95	28
CFD-63/80 CFDL-63/80	630	800	1.23	3670	60	1728 / 1436		800	630	1300	950	380	80	296	175	140	90	25	95	28
CFD-63/100 CFDL-63/100	630	1000	1.58	4570	60	2081 / 1716		1000	630	1500	1150	380	80	293.5	175	140	90	25	95	28
CFD63/120 CFDL-63/120	630	1200	1.93	5490	60	2492 / 2054		1200	630	1750	1400	440	90	365	215	160	110	36	118	34

CFDL-80/80	800	800	2.6	5590	60	2065	KGLA - 50/500B	800	800	130	950	38	80	296	17	14	90	2	95	34
CFDL-80/ 100	800	1000	3.2	6960	60	2370		100	800	150	115	44	90	365	21	16	11	3	118	34
CFDL-80/ 120	800	1200	3.8	8370	60	2770		120	800	175	140	44	90	366	21	16	11	3	118	34
CFDL-80/ 140	800	1400	4.4	9760	60	3170		140	800	200	160	44	90	365	21	16	11	3	118	34
CFDL-100/ 140	1000	1400	5.6	16000	60	4200		140	100	200	160	54	11	465	27	20	15	4	160	34
CFDL-100/ 160	1000	1600	6.4	18000	60	4900		160	100	220	180	54	11	465	27	20	15	4	160	34
CFDL-100/ 180	1000	1800	7.2	20000	60	5600		180	100	240	200	54	11	465	27	20	15	4	160	34



©Copyright 2007 YUXIANG Magnetic Materials Ind. Co.,Ltd.All Rights Reserved.